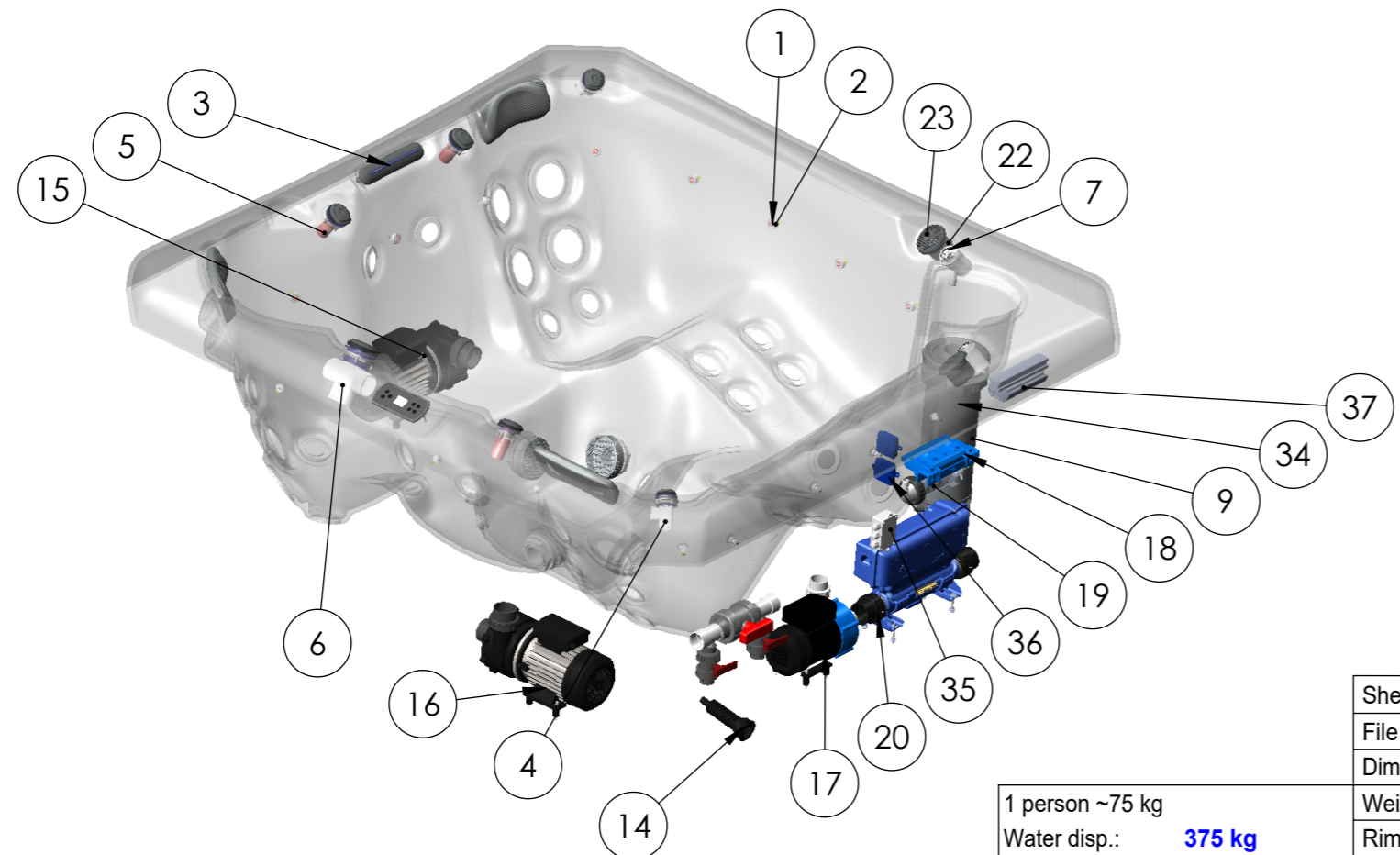
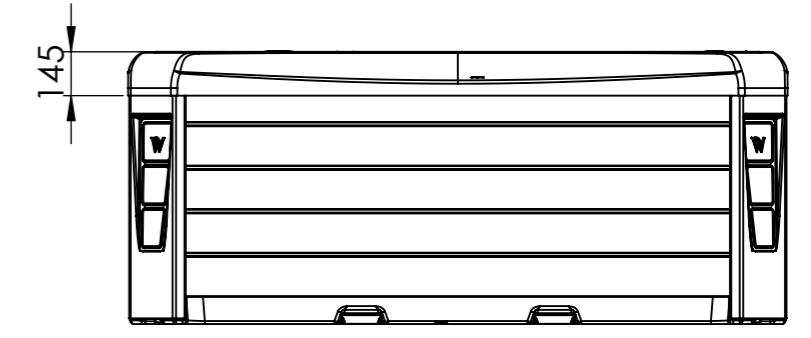


Drain pipe      Heat exchanger outlet      Electrical connection suggested side



Tétel	Cikkszám	IFS megnevezés EN	Db
1	AKU2647	Led housing with seal	16
2	AKU2219	Nut for ledhouse	16
3	AKU1916	Waterfall 276x51x48	1
4	AKU1893	On-Off tap house 33 transparent V2	2
5	AKU1892	Air Regulator - house led lighted V2	3
6	AKU1891	Water Diverter 60 - LED lighted V2	1
7	AKU2625	Fountain laminar V3	2
8	AJ00281	Sealing for self adjusting suction head nut Life	4
9	AKU1830	Filter house for floating 50 sqf filters	1
10	AJ00291	Jet ozone with sealing V2	1
11	ABE0505	Beszívófej ház 2" Króm (magas) tömítéssel V2	4
12	AJ00282	Circulation jet Medium gray 48 mm Life	1
13	ABE0308	Ball valve 32	2
14	AKU0084	Water Drain - 20 RB V2	1
15	ACM0080	Spa Pump 3 HP - One Speed	1
16	ACM0080	Spa Pump 3 HP - One Speed	1
17	ACM0846	Circulation pump WTC50M 250 W 0.33 Hp	1
18	ABE0621	Ozon mixer - Housing	1
19	ABE0620	Mixer housing	1
20	ACM0755	Control box In.YE-3	1
21	ACM0959	Control Panel - IN.K500 GECKO	1
22	ACM0874	Speaker 3" (2 way)	2
23	ACM0875	Grille for speaker 3" (2 way)	2
24	AKU1894	Water Diverter - Grip Wellis V2	1
25	AKU1895	Air regulator grip Wellis V2	3
26	AKU1896	On-off tap grip Wellis V2	2
27	AJ00219	Jet 5" - transparent 1 Hole rotational transparent V3 Wellis	6
28	AJ00218	Jet 5" - transparent 1 Hole transparent V3 Wellis	6
29	AJ00216	Jet 3" - transparent 1 Hole V3 Wellis	20
30	AJ00217	Jet 3" - transparent 1 Hole Rotation transparent V3 Wellis	10
31	AKU1842	Skimmer house with Wellis logo	1
32	AF00061	Pillow 300x126x54 white ribbed	3
33	AKU1832	Filter House - Skimmer Cover round	1
34	AKU1831	Spa Filter 337 x 124 white 50 sqf (no thread)	1
35	ACM0961		1
36	ACM0901	Wifi receiver in.touch 2 Gecko EU&UK	1
37	ACM0943	Amplifier Bluetooth for Shenzhen 2.0 Sound System	1

You must install a 30 mA residual-current device (RCD).



Product family: **Wellis\CityLife**

Sheet name: <b>Palermo Life spa</b>		Projection			
File name: <b>FJ_WM00567_ENG_Palermo_life_medence</b>					
Dimension SPA: <b>2180x2180x900 mm</b>		Min.El. nds: <b>230 V - 25A - 50Hz / Opt.El. needs: 400V - 3x16A - 50Hz</b>			
Weight of the SPA: <b>335 kg</b>		Raklap <b>2200x950 Rio2 - AE00362</b>		Control box: <b>Gecko IN.YE-3 + IN. K500 (3kW)</b>	
Rim height: <b>145 mm</b>		Approved by: <b>Ress Tamás</b>		Pr. No: <b>WM00567</b>	
Minimum water: <b>1175 liter</b>		Created: <b>2024. 04. 17.</b>		Fe. No: <b>WM00567</b>	
		Drawer: <b>ress.tamas - 2024. 04. 17. 11:09:28</b>		Number: <b>WM00567</b>	
				A3 M 1:20	
				page 1 / 2	

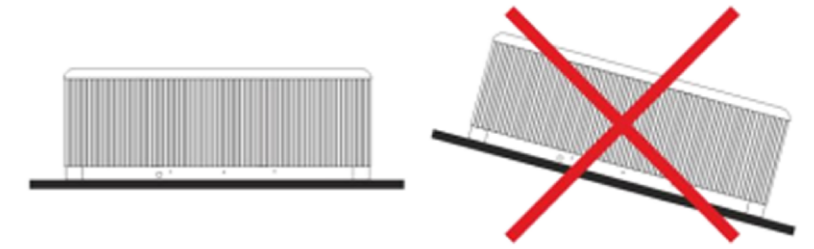
# INSTALLATION INSTRUCTIONS

Installation, connection and electrical installation can be done only by professionals!

The given dimensions are for information only, they may differ from reality due to the manufacturing technology of pools.

## ATTENTION!

Pools can be installed only when electric shock protection compliance of the installed residual-current device is stated by the installation personnel in written form.



### 1. General installation instructions

A solid, level base (maximum 0.5% slope) is essential for setting up the pool. Make sure the cover or base is properly supporting the pool.

For this, you need to know the maximum load capacity of the cover. Consult a qualified architectural professional or structural engineer. To determine the weight, contents and parts of the pool, refer to the data table of the pool. This weight should not exceed the calculated static capacity per square meter, otherwise it may cause serious damage to the pool and the substrate. **60 cm of space is required around the pool**

**provided for servicing**, if this cannot be done, in the event of servicing, advance notice must be given and access to the pool must be ensured! It is advisable to create a water confluence on the outlet side of the pool. Its purpose is to drain rainwater and splashing water from around the pool, and also to allow the water to flow away in case the pool is lowered at the bottom outlet.

#### a. Indoors/Basement

In case of placing the pool inside a building take into consideration the following requirements: The base must have a proper drain channel to prevent water collecting around the pool.

In case a new place is built for the pool, it is strongly recommended to install a floor drain to prevent damage due to water overflow or mechanical failure, etc.

If no floor drain is installed, our Company takes no responsibility for occurring damages.

Inside the room where the pool is installed, humidity can increase significantly. To prevent precipitating water and the occurrence of fungus, proper ventilation of the room is highly recommended.

It is also suggested to install a dehumidifier device in the room. Acryl absorbs heat from the sun rapidly, due to which the pool can suffer significant heat damage. In case the pool is installed between glass structures, please prevent the sunrays to reach the pool directly through the glass, otherwise temperatures can rise too high.

#### b. Outdoors/Closed terrace

**If the pool is installed outdoors, it is recommended to build a horizontal, reinforced concrete base with min. 10-15 cm thickness. Do not expose the empty pool direct sunlight without proper protection (thermal cover on top).** Please keep in mind that long term exposure to sunlight will damage the pool and its accessories.

#### c. Recessed installation

In case of recessed installation a **60 cm wide manhole must be built around the pool** for proper access and servicing.

Only the part of the pool that is **under the acrylic rim** can be recessed. In case these conditions are not met, installation of the pool may fail!

It is appropriate to make the drain channel in the base on the drain side of the pool. Its purpose is to take away splash water around the pool, or drain the released water.

It is also necessary to provide water drainage in the manhole.

The manhole should also ventilate properly. It is recommended to install an exhaust fan or other ventilation device.

If raising the pool from its recessed place is necessary, the customer is responsible for all related expenses.

### 2. Electrical installation

**You must install a circuit breaker dedicated only for the pool, no other devices allowed to connect. You must also install a 30mA residual-current device (RCD).**

Check your product type: WM00567 Palermo Life medence

Check the minimal electric needs of your product: 230V 25A 50Hz

Check the optimal electric needs of your product: 400V 3x16A 50HZ

Based on the information above, choose the appropriate cable size for your product.

**For electric installation in case of cables not exceeding 10 meters in length, the appropriate cable cross section and length is given in the table on the right.**

- For cable lengths exceeding 10 meters please consult a professional!

- In all cases, the electrical installation of the pool has to be done by an electrician.

- In case the optimal energy needs of the pool are met: the Spa pump and heating can work simultaneously.

- In case only the minimal energy needs of the pool are met: the Spa pump and heating can not work simultaneously.

- Installing the cables is recommended through the bottom cover (tray) by drilling a hole and using a cable gland. Recommended direction is shown on the drawing.

Min. cable length for installation is 3 m.

- The exact way of electrical installation is always unique, highly dependant on the location and environment of the pool.

Additional electrical installation (cable, circuit breaker and residual-current device) is the customer's responsibility.

These parts are not included in the pool packaging, need to be purchased separately.

Every pool has a dedicated installation drawing.

Make sure that the pool is connected to a 30 mA residual-current device.

Use copper wiring only.

If a fuse fails, replace it only with same type of fuse with same technical parameters.

The device must be connected to the house's Equipotential Bonding Grid.

We inform you that the functioning of Spa pumps listed in the bill of materials on the first page may differ from reality. For example, if 'ACM0394 Spa Pump 3/0.6 HP - Two Speed' pump is listed as two speed, but in reality it only works with one speed, that might be because for the best massage experience a bigger influx of water is needed, thus the pump will work with its highest speed.

Kábel keresztmetszet/ Cable profile		
1x16A	3x2,5mm <sup>2</sup>	230 V
1x20A	3x4mm <sup>2</sup>	230 V
1x25A	3x4mm <sup>2</sup>	230 V
3x16A	5x4mm <sup>2</sup>	400 V

Product family: **Wellis\CityLife**

Sheet name: <b>INFO</b>		Projection	
File name: <b>FJ_WM00567_ENG_Palermo_life_medence</b>			
Dimension SPA: <b>2180x2180x900 mm</b>		Min.El. nds: <b>230 V - 25A - 50Hz / Opt.El. needs: 400V - 3x16A - 50Hz</b>	
Weight of the SPA: <b>335 kg</b>		<b>Raklap 2200x950 Rio2 - AE00362</b>	<b>Control box: Gecko IN.YE-3 + IN. K500 (3kW)</b>
Rim height: <b>145 mm</b>	Approved by: <b>Ress Tamás</b>	Pr. No:	Number: <b>WM00567</b>
Minimum water: <b>1175 liter</b>	Created: <b>2024. 04. 17.</b>	Fa. No:	<b>A3 M 1:15</b>
Drawer: <b>ress.tamas - 2024. 04. 17. 11:09:28</b>		<b>page 2 / 2</b>	

1 person ~75 kg	
Water disp.: <b>375 kg</b>	
Minimum water: <b>1175 liter</b>	